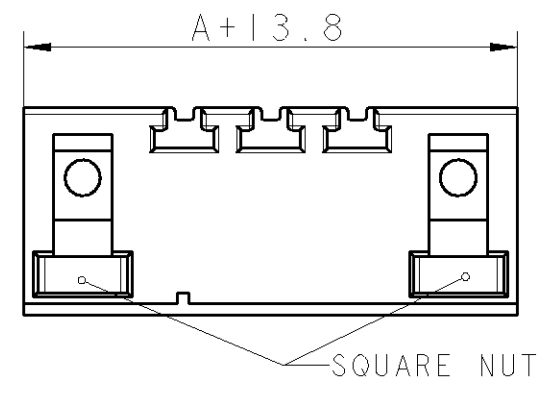
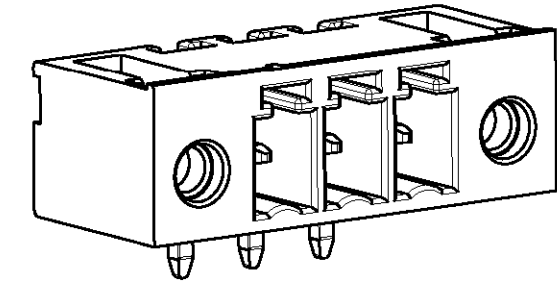
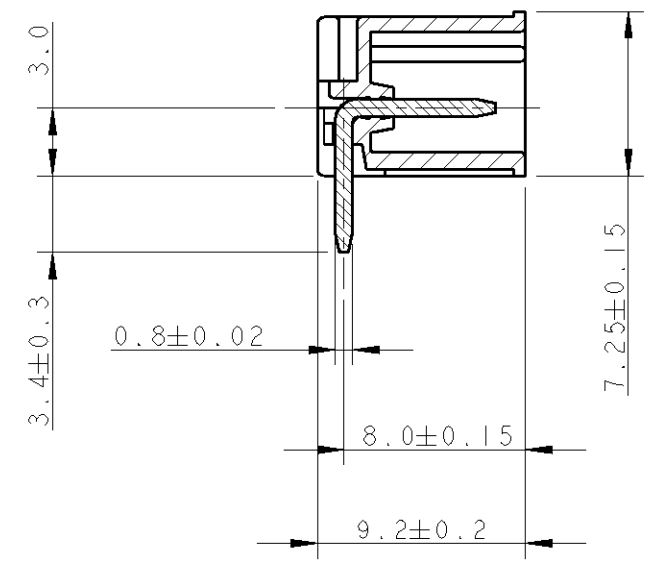
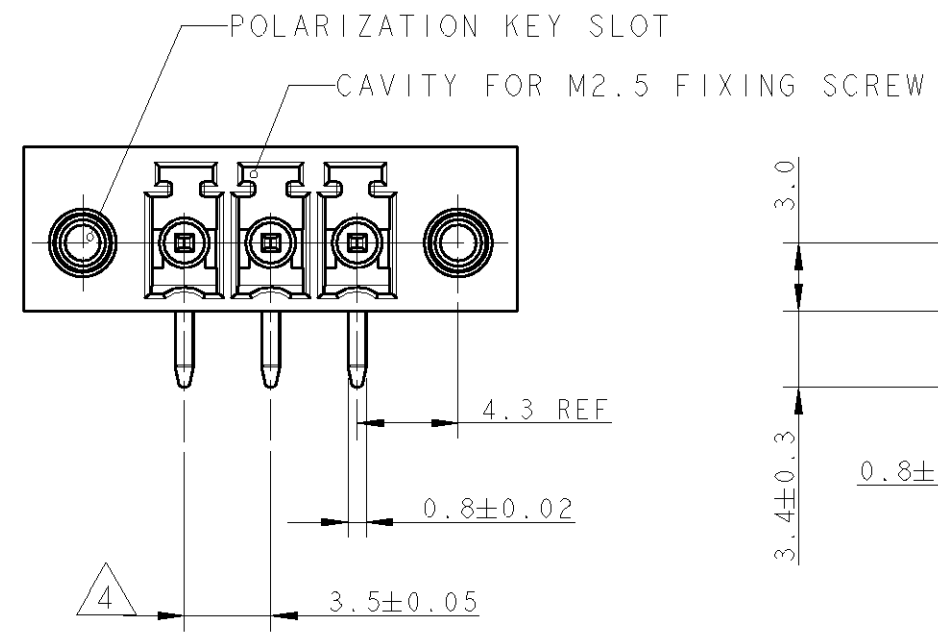


THIS DRAWING IS UNPUBLISHED. RELEASED FOR PUBLICATION 20  
 © COPYRIGHT 20 BY TYCO ELECTRONICS CORPORATION. ALL RIGHTS RESERVED.

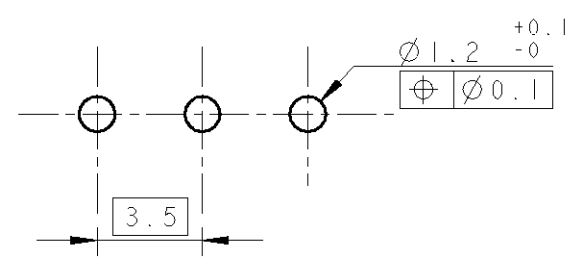
LOC	DIST	REVISIONS			
P	LTR	DESCRIPTION	DATE	DWN	APVD
FT	0	B	REVISED PER 0G3B-0119-01	07FEB2002	EZ DB



- 1 MATERIALS AND FINISH  
 HOUSING : PA 6.6, UL 94-V0, COLOR GREEN  
 TERMINAL : PHOSPHOR BRONZE, TIN PLATED
- 2 CONNECTOR ASSEMBLY INCLUDED 2 SQUARE NUTS LOADED IN CAVITY
- 3 SUITABLE FOR 1.6-2.4 mm. PC BOARD THICKNESS
- 4 NOT CUMULATIVE TOLERANCE

77.0	23	2-284539-3
73.5	22	2-284539-2
70.0	21	2-284539-1
66.5	20	2-284539-0
63.0	19	1-284539-9
59.5	18	1-284539-8
56.0	17	1-284539-7
52.5	16	1-284539-6
49.0	15	1-284539-5
45.5	14	1-284539-4
42.0	13	1-284539-3
38.5	12	1-284539-2
35.0	11	1-284539-1
31.5	10	1-284539-0
28.0	9	284539-9
24.5	8	284539-8
21.0	7	284539-7
17.5	6	284539-6
14.0	5	284539-5
10.5	4	284539-4
7.0	3	284539-3
3.5	2	284539-2
DIM A	NO OF POS	PART NUMBER

RECOMMENDED PC BOARD LAYOUT



THIS DRAWING IS A CONTROLLED DOCUMENT FOR TYCO ELECTRONICS CORPORATION. IT IS SUBJECT TO CHANGE AND THE CONTROLLING ENGINEERING ORGANIZATION SHOULD BE CONTACTED FOR THE LATEST REVISION.

DIMENSIONS:	TOLERANCES UNLESS OTHERWISE SPECIFIED:	DWN	07FEB2002	<b>BUCHANAN</b> Tyco Electronics Harrisburg, PA 17105-3608
mm	0 PLC ±.3	CHK	07FEB2002	
	1 PLC ±.3	APVD	07FEB2002	
	2 PLC ±.25	PRODUCT SPEC	108-20166	
	3 PLC ±.	APPLICATION SPEC	114-20079	NAME
	4 PLC ±.	WEIGHT	-	TERMINAL BLOCK, HEADER ASSEMBLY
	ANGLES ±. ±2			90°, 3.5mm PITCH
MATERIAL	FINISH	CUSTOMER DRAWING		WITH THREADED FLANGE
		SCALE	3:1	RESTRICTED TO
		SHEET	1	OF
		REV	B	